

# KAB // Seating

## KAB ECONOMY PAN SEAT RANGE

### P Series range

The construction of the P Series is an integral one piece PVC skin and foam fitted to a rigid seat pan. Ideal for outdoor applications the P Series contoured surface grooves channel any surface water towards drainage holes at the rear of the pan.

**P1 SEATPAN**



Space saving and cost effective narrow one piece pan seat. Ideal for vineyard tractors. Optional extra – backrest extension.

**P2 SEATPAN**



Our most popular and versatile one piece pan seat – can be used in a wide variety of applications. Optional extras – lap belt and backrest extension.

**P3 SEATPAN**



A wider one piece pan seat with good lateral support. Optional extras – lap belt and backrest extension.

**P4 SEATPAN**



A higher back one piece pan seat which allows better mid back support.

**P6 SEATPAN**

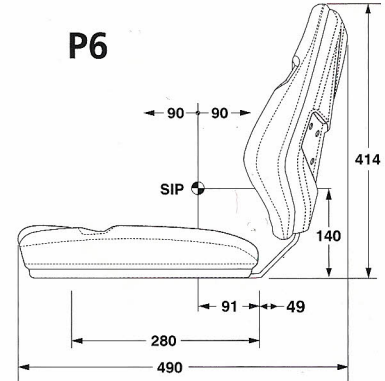
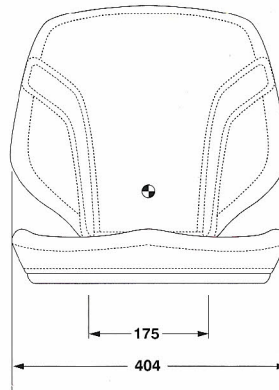
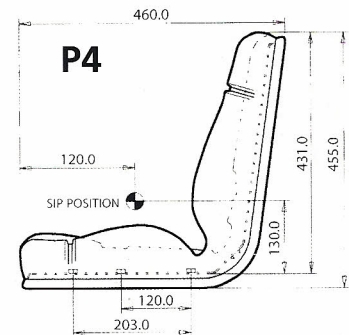
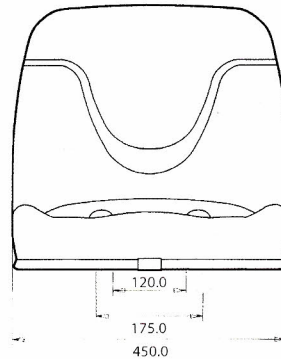
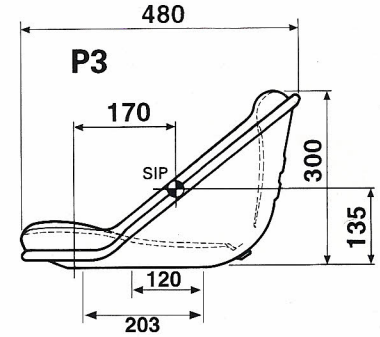
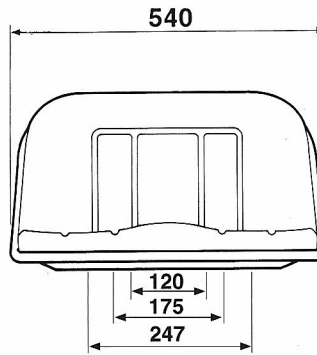
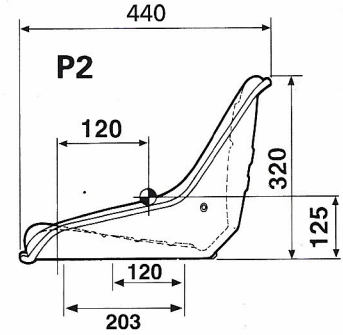
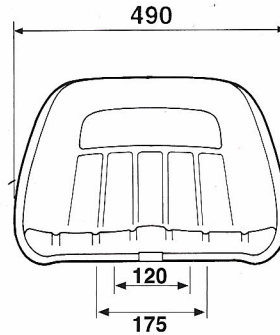
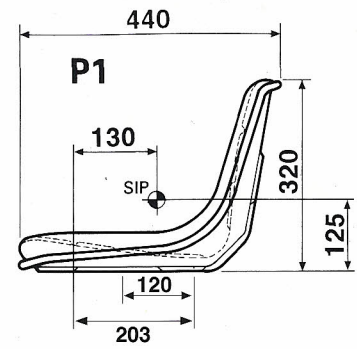
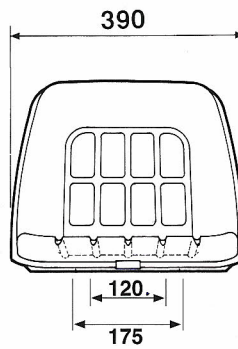


The new P6 is a two piece mid back seat pan with moulded vacuum formed skin & foam. It is ideal for small tractors, small construction machines and ride on mowers. Optional Extras – lap belt, backrest extension and armrests.

*All these pans can be used as static seats with or without sliderails and can also be fitted to XL2, XH2, 11 and Air 15 suspension units.*

[www.kabseating.com](http://www.kabseating.com)

# KAB//Seating



Distributor

**CAPITAL**  
seating & vision

Unit 1 Forward Park, Sheene Road  
Beaumont Leys, Leicester, LE4 1BF  
Tel: +44 (0)116 216 9910 Fax: +44 (0)116 216 9911  
Email: sales@capitalseating.co.uk  
www.capitalseating.co.uk



A division of Swann Systems (UK) Ltd